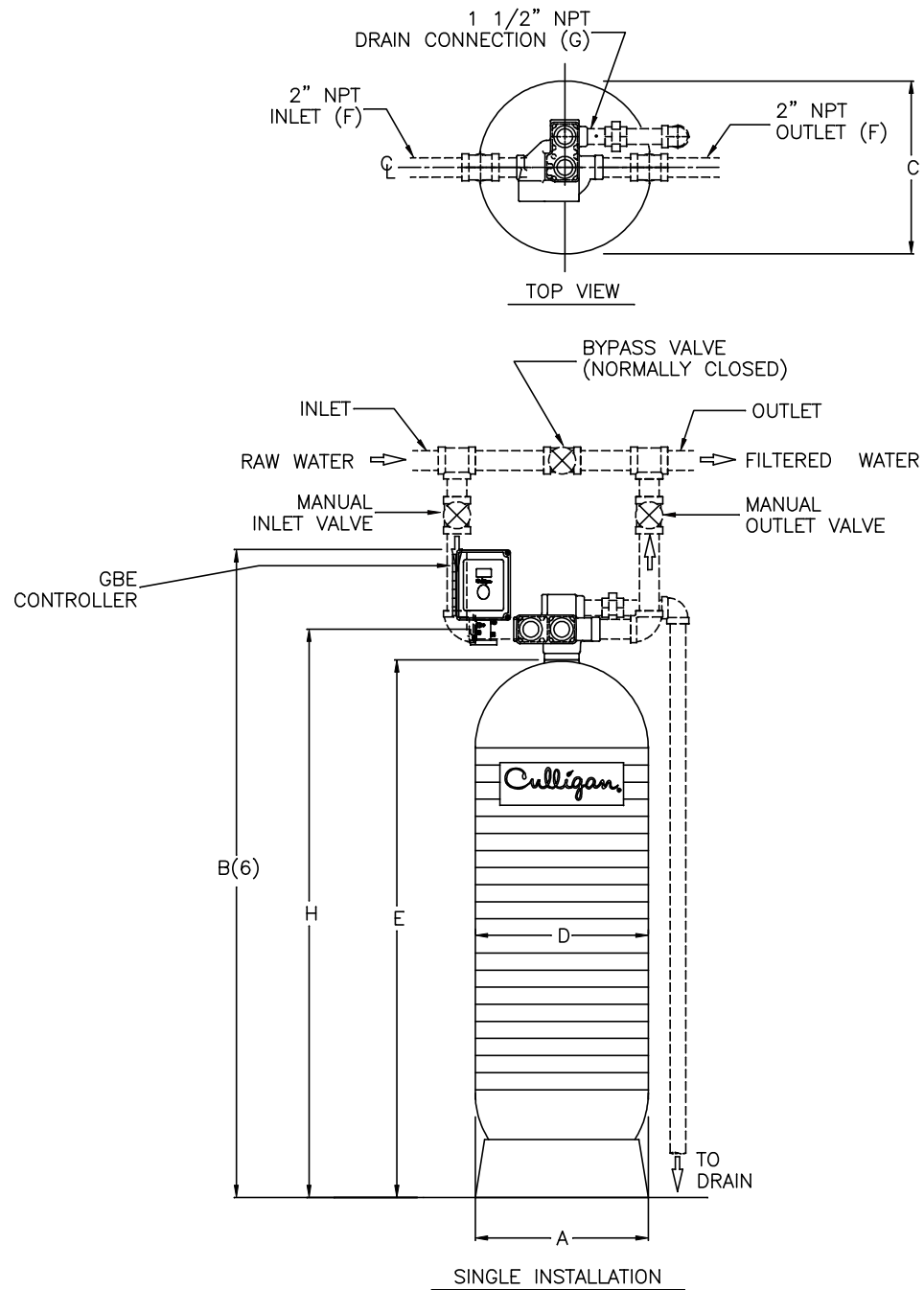


NOTES:

- (1) ITEMS SHOWN IN BROKEN LINES TO BE FURNISHED BY OTHERS.
- (2) ALL DIMENSIONS ARE ± 1 INCH (25mm) AND SUBJECT TO CHANGE WITHOUT NOTICE.
- (3) UNIONS SHOULD BE LOCATED ON INLET AND OUTLET CONNECTIONS OF CONTROL VALVE TO FACILITATE SERVICING.
- (4) THE USE OF DISSIMILAR METALS IN A PIPING SYSTEM IS NOT RECOMMENDED. WHERE DISSIMILAR METALS MUST BE CONNECTED IN A WATER SYSTEM. THE USE OF NONCONDUCTIVE (DIELECTRIC) FITTINGS MAY REDUCE GALVANIC CORROSION.
- (5) AN ELECTRICAL OUTLET SHOULD BE PROVIDED WITHIN FIVE FEET OF THE EQUIPMENT LOCATION.
- (6) ALLOW A MINIMUM OF 24 INCHES ABOVE SOFTENER FOR FILLING.
- (7) TO PERMIT THE OBSERVATION OF THE DRAIN FLOW DO NOT MAKE A DIRECT CONNECTION TO THE DRAIN. PROVIDE AN AIR GAP OF AT LEAST FOUR TIMES THE DIAMETER OF THE DRAIN PIPE OR CONFORM TO LOCAL SANITATION CODES.
- (8) SYSTEM USES FRP TANKS WHICH MUST NOT BE SUBJECTED TO VACUUM. INSTALL SIPHON BREAK ON DRAIN LINE. INSTALL VACUUM BREAKER ON INLET PIPING IF THE SERVICE LINE IS SUBJECT TO A VACCUM.

MODEL	DIMENSIONS (INCHES)								UNIT DATA PER TANK				SIMPLEX OPER. WT. lbs.	SIMPLEX SHIP. WT. lbs.
	WIDTH A	HEIGHT B(6)	DEPTH C	TANK DIA. D	TANK HEIGHT E	INLET/OUTLET PIPE SIZES F	DRAIN SIZE G	FLOOR TO INLET H	TASTE, ODOR & ORGANICS REMOVAL FLOW gpm @ DP	DE-CHLORINATION FLOW gpm @ DP	DRAIN FLOW gpm	MIN. DRAIN PIPE SIZE IN.		
HRF-20-T	21	79	21	21	62	2.0	1.5	67	12 @ 1.5	24 @ 4	20	1.5	562	470
HRF-24-T	24	88	24	24	72	2.0	1.5	76	16 @ 2	31 @ 4	30	1.5	931	555
HRF-30-T	30	96	30	30	72	2.0	1.5	84	25 @ 3	49 @ 6	48	1.5	1489	820
HRF-36-T	36	96	36	36	72	2.0	1.5	84	35 @ 3	71 @ 9	70	2	2108	1135



DO NOT SCALE DRAWING TOLERANCES: ±1/8" UNLESS OTHERWISE NOTED				
Let.	Change	By	App	Date

Culligan®
ENGINEERED SYSTEMS
 ROSEMONT, ILLINOIS

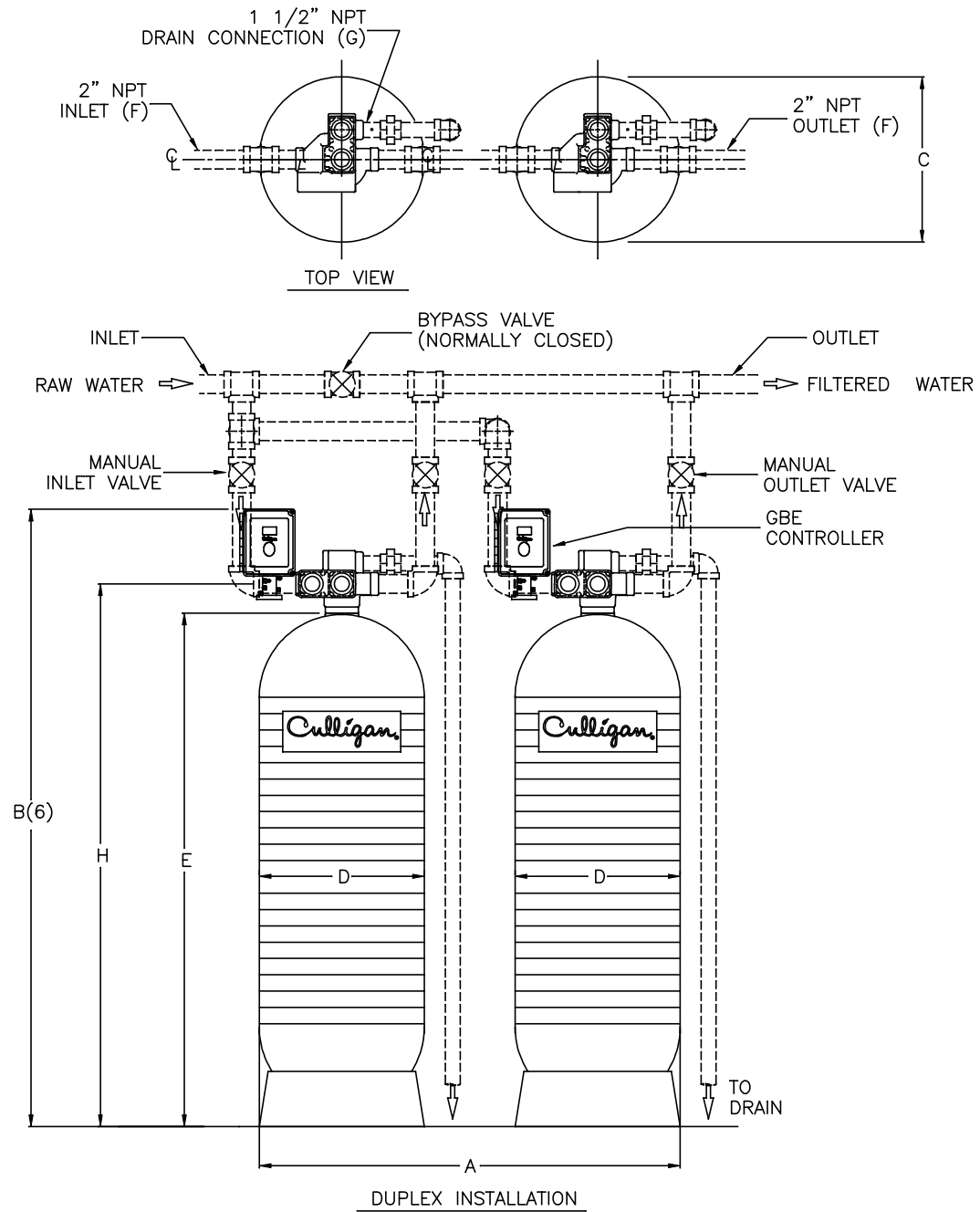
PRINT AND BILL OF MATERIAL ARE NOT TO BE USED WITHOUT THE WRITTEN CONSENT OF CULLIGAN INTERNATIONAL CO.

NAME HI-FLO® 42 (FIBERGLASS) CARBON FILTER SINGLE TECHNICAL DATA SHEET		
DETAILED BY: KMR 10/11/02	APP. BY: KSR 01/11/10	SHEET 1 OF 1
REF. NO.	PART NO. F42_F1_C	

NOTES:

- (1) ITEMS SHOWN IN BROKEN LINES TO BE FURNISHED BY OTHERS.
- (2) ALL DIMENSIONS ARE ± 1 INCH (25mm) AND SUBJECT TO CHANGE WITHOUT NOTICE.
- (3) UNIONS SHOULD BE LOCATED ON INLET AND OUTLET CONNECTIONS OF CONTROL VALVE TO FACILITATE SERVICING.
- (4) THE USE OF DISSIMILAR METALS IN A PIPING SYSTEM IS NOT RECOMMENDED. WHERE DISSIMILAR METALS MUST BE CONNECTED IN A WATER SYSTEM. THE USE OF NONCONDUCTIVE (DIELECTRIC) FITTINGS MAY REDUCE GALVANIC CORROSION.
- (5) AN ELECTRICAL OUTLET SHOULD BE PROVIDED WITHIN FIVE FEET OF THE EQUIPMENT LOCATION.
- (6) ALLOW A MINIMUM OF 24 INCHES ABOVE SOFTENER FOR FILLING.
- (7) TO PERMIT THE OBSERVATION OF THE DRAIN FLOW DO NOT MAKE A DIRECT CONNECTION TO THE DRAIN. PROVIDE AN AIR GAP OF AT LEAST FOUR TIMES THE DIAMETER OF THE DRAIN PIPE OR CONFORM TO LOCAL SANITATION CODES.
- (8) SYSTEM USES FRP TANKS WHICH MUST NOT BE SUBJECTED TO VACUUM. INSTALL SIPHON BREAK ON DRAIN LINE. INSTALL VACUUM BREAKER ON INLET PIPING IF THE SERVICE LINE IS SUBJECT TO A VACCUM.

MODEL	DIMENSIONS (INCHES)								UNIT DATA PER TANK					
	WIDTH A	HEIGHT B(6)	DEPTH C	TANK DIA. D	TANK HEIGHT E	INLET/OUTLET PIPE SIZES F	DRAIN SIZE G	FLOOR TO INLET H	TASTE, ODOR & ORGANICS REMOVAL FLOW gpm @ DP	DE-CHLORINATION FLOW gpm @ DP	DRAIN FLOW gpm	MIN. DRAIN PIPE SIZE IN.	DUPLEX OPER. WT. lbs.	DUPLEX SHIP. WT. lbs.
HRF-20-T	54	79	21	21	62	2.0	1.5	67	12 @ 1.5	24 @ 4	20	1.5	1124	940
HRF-24-T	60	88	24	24	72	2.0	1.5	76	16 @ 2	31 @ 4	30	1.5	1862	1110
HRF-30-T	72	96	30	30	72	2.0	1.5	84	25 @ 3	49 @ 6	48	1.5	2978	1640
HRF-36-T	84	96	36	36	72	2.0	1.5	84	35 @ 3	71 @ 9	70	2	4216	2270

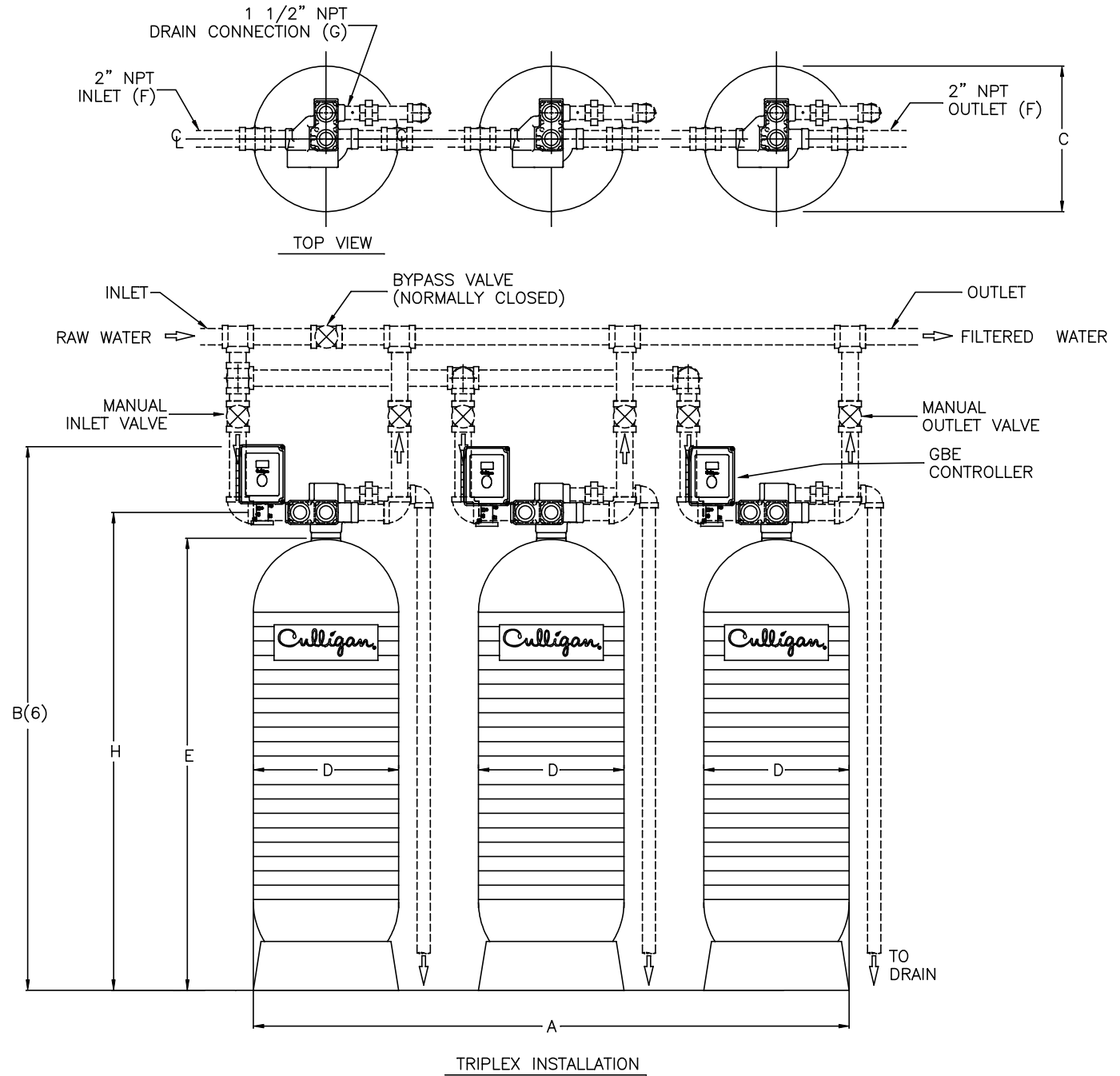


DO NOT SCALE DRAWING TOLERANCES: ±1/8" UNLESS OTHERWISE NOTED				ENGINEERED SYSTEMS ROSEMONT, ILLINOIS PRINT AND BILL OF MATERIAL ARE NOT TO BE USED WITHOUT THE WRITTEN CONSENT OF CULLIGAN INTERNATIONAL CO.	NAME HI-FLO® 42 (FIBERGLASS) CARBON FILTER DUPLEX TECHNICAL DATA SHEET			
Let.	Change	By	App		Date	DETAILED BY: KMR 10/11/02	APP. BY: KSR 01/11/10	SHEET 1 OF 1
						REF. NO.	PART NO. F42_F2_C	

NOTES:

- (1) ITEMS SHOWN IN BROKEN LINES TO BE FURNISHED BY OTHERS.
- (2) ALL DIMENSIONS ARE ± 1 INCH (25mm) AND SUBJECT TO CHANGE WITHOUT NOTICE.
- (3) UNIONS SHOULD BE LOCATED ON INLET AND OUTLET CONNECTIONS OF CONTROL VALVE TO FACILITATE SERVICING.
- (4) THE USE OF DISSIMILAR METALS IN A PIPING SYSTEM IS NOT RECOMMENDED. WHERE DISSIMILAR METALS MUST BE CONNECTED IN A WATER SYSTEM. THE USE OF NONCONDUCTIVE (DIELECTRIC) FITTINGS MAY REDUCE GALVANIC CORROSION.
- (5) AN ELECTRICAL OUTLET SHOULD BE PROVIDED WITHIN FIVE FEET OF THE EQUIPMENT LOCATION.
- (6) ALLOW A MINIMUM OF 24 INCHES ABOVE SOFTENER FOR FILLING.
- (7) TO PERMIT THE OBSERVATION OF THE DRAIN FLOW DO NOT MAKE A DIRECT CONNECTION TO THE DRAIN. PROVIDE AN AIR GAP OF AT LEAST FOUR TIMES THE DIAMETER OF THE DRAIN PIPE OR CONFORM TO LOCAL SANITATION CODES.
- (8) SYSTEM USES FRP TANKS WHICH MUST NOT BE SUBJECTED TO VACUUM. INSTALL SIPHON BREAK ON DRAIN LINE. INSTALL VACUUM BREAKER ON INLET PIPING IF THE SERVICE LINE IS SUBJECT TO A VACCUM.

MODEL	DIMENSIONS (INCHES)								UNIT DATA PER TANK					
	WIDTH A	HEIGHT B(6)	DEPTH C	TANK DIA. D	TANK HEIGHT E	INLET/OUTLET PIPE SIZES F	DRAIN SIZE G	FLOOR TO INLET H	TASTE, ODOR & ORGANICS REMOVAL FLOW gpm @ DP	DE-CHLORINATION FLOW gpm @ DP	DRAIN FLOW gpm	MIN. DRAIN PIPE SIZE IN.	TRIPLEX OPER. WT. lbs.	TRIPLEX SHIP. WT. lbs.
HRF-20-T	87	79	21	21	62	2.0	1.5	67	12 @ 1.5	24 @ 4	20	1.5	1686	1410
HRF-24-T	96	88	24	24	72	2.0	1.5	76	16 @ 2	31 @ 4	30	1.5	2793	1665
HRF-30-T	114	96	30	30	72	2.0	1.5	84	25 @ 3	49 @ 6	48	1.5	4467	2460
HRF-36-T	132	96	36	36	72	2.0	1.5	84	35 @ 3	71 @ 9	70	2	6324	3405

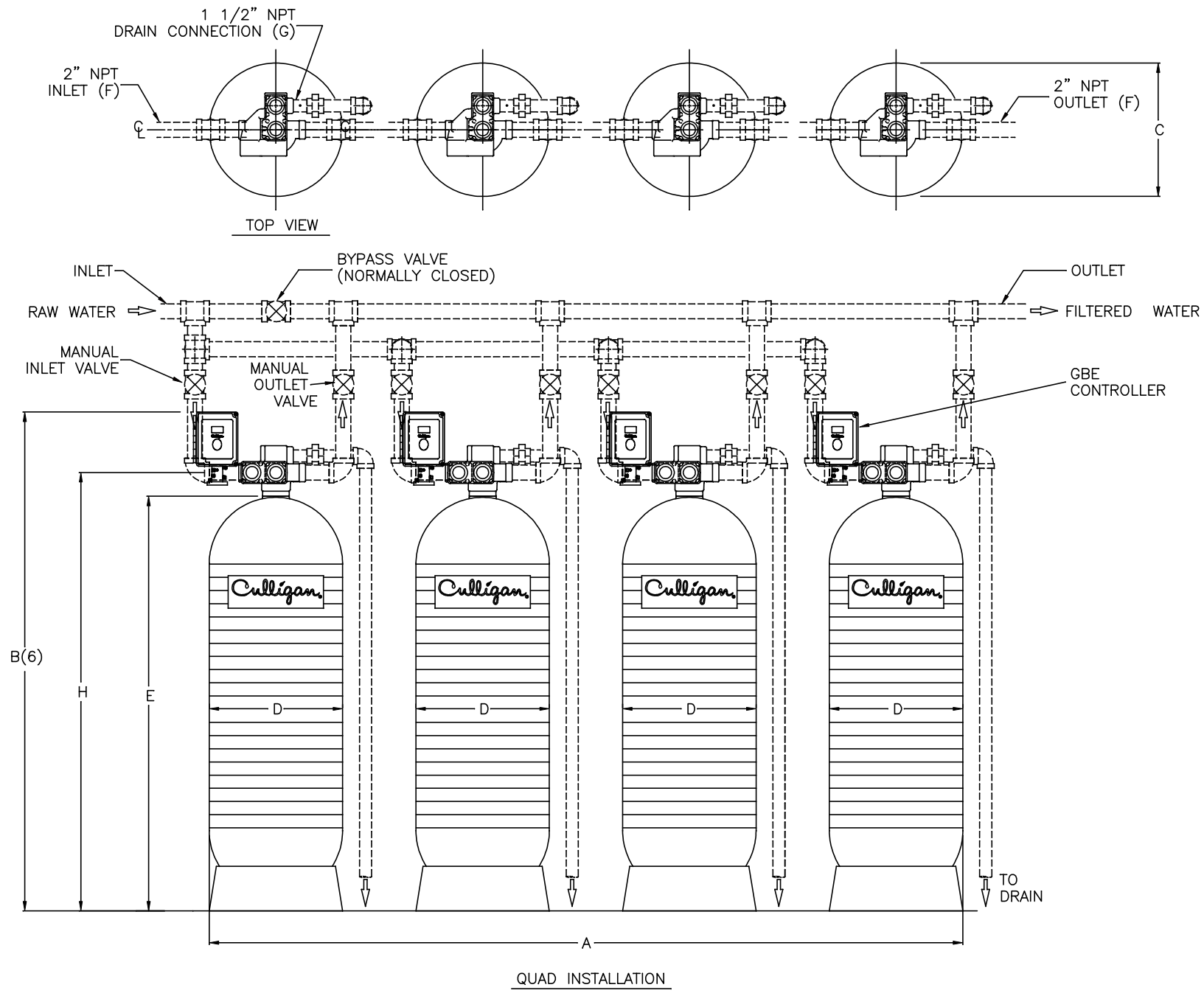


DO NOT SCALE DRAWING TOLERANCES: ±1/8" UNLESS OTHERWISE NOTED					 ENGINEERED SYSTEMS ROSEMONT, ILLINOIS PRINT AND BILL OF MATERIAL ARE NOT TO BE USED WITHOUT THE WRITTEN CONSENT OF CULLIGAN INTERNATIONAL CO.		NAME HI-FLO® 42 (FIBERGLASS) CARBON FILTER TRIPLEX TECHNICAL DATA SHEET		
Let.	Change	By	App	Date			DETAILED BY: KMR 10/11/02	APP. BY: KSR 01/11/10	SHEET 1 OF 1
						REF. NO.	PART NO. F42_F3_C		

NOTES:

- (1) ITEMS SHOWN IN BROKEN LINES TO BE FURNISHED BY OTHERS.
- (2) ALL DIMENSIONS ARE ± 1 INCH (25mm) AND SUBJECT TO CHANGE WITHOUT NOTICE.
- (3) UNIONS SHOULD BE LOCATED ON INLET AND OUTLET CONNECTIONS OF CONTROL VALVE TO FACILITATE SERVICING.
- (4) THE USE OF DISSIMILAR METALS IN A PIPING SYSTEM IS NOT RECOMMENDED. WHERE DISSIMILAR METALS MUST BE CONNECTED IN A WATER SYSTEM. THE USE OF NONCONDUCTIVE (DIELECTRIC) FITTINGS MAY REDUCE GALVANIC CORROSION.
- (5) AN ELECTRICAL OUTLET SHOULD BE PROVIDED WITHIN FIVE FEET OF THE EQUIPMENT LOCATION.
- (6) ALLOW A MINIMUM OF 24 INCHES ABOVE SOFTENER FOR FILLING.
- (7) TO PERMIT THE OBSERVATION OF THE DRAIN FLOW DO NOT MAKE A DIRECT CONNECTION TO THE DRAIN. PROVIDE AN AIR GAP OF AT LEAST FOUR TIMES THE DIAMETER OF THE DRAIN PIPE OR CONFORM TO LOCAL SANITATION CODES.
- (8) SYSTEM USES FRP TANKS WHICH MUST NOT BE SUBJECTED TO VACUUM. INSTALL SIPHON BREAK ON DRAIN LINE. INSTALL VACUUM BREAKER ON INLET PIPING IF THE SERVICE LINE IS SUBJECT TO A VACCUM.

MODEL	DIMENSIONS (INCHES)								UNIT DATA PER TANK					
	WIDTH A	HEIGHT B(6)	DEPTH C	TANK DIA. D	TANK HEIGHT E	INLET/OUTLET PIPE SIZES F	DRAIN SIZE G	FLOOR TO INLET H	TASTE, ODOR & ORGANICS REMOVAL FLOW gpm @ DP	DE-CHLORINATION FLOW gpm @ DP	DRAIN FLOW gpm	MIN. DRAIN PIPE SIZE IN.	QUAD OPER. WT. lbs.	QUAD SHIP. WT. lbs.
HRF-20-T	120	79	21	21	62	2.0	1.5	67	12 @ 1.5	24 @ 4	20	1.5	2248	1880
HRF-24-T	132	88	24	24	72	2.0	1.5	76	16 @ 2	31 @ 4	30	1.5	3724	2220
HRF-30-T	156	96	30	30	72	2.0	1.5	84	25 @ 3	49 @ 6	48	1.5	5956	3280
HRF-36-T	180	96	36	36	72	2.0	1.5	84	35 @ 3	71 @ 9	70	2	8432	4540

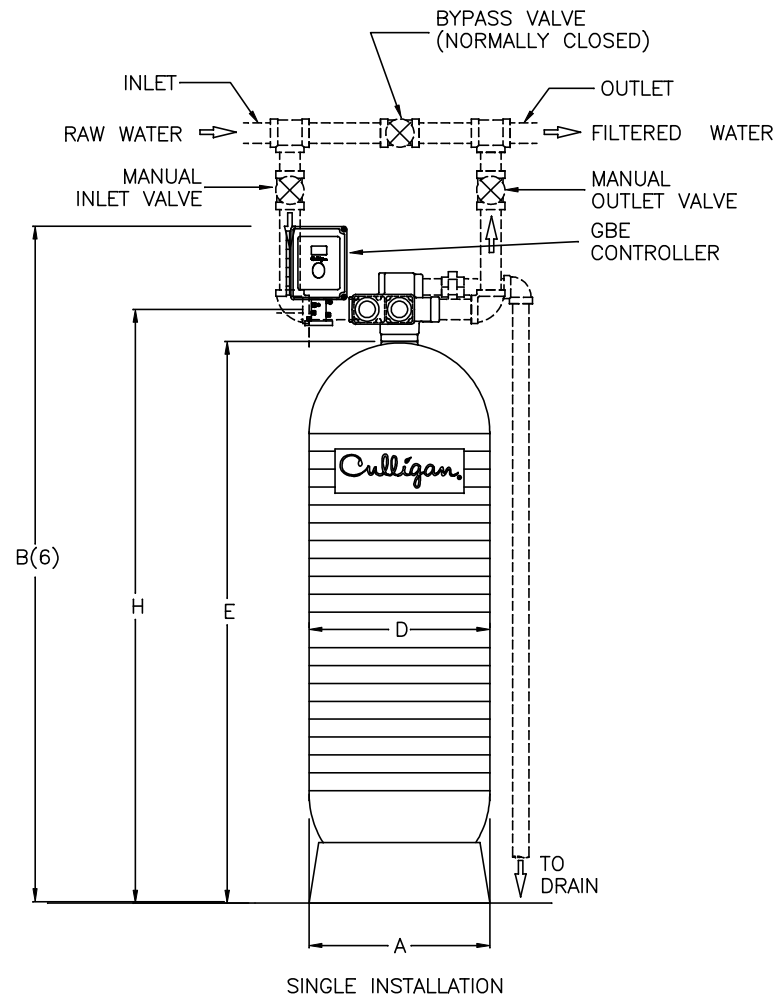
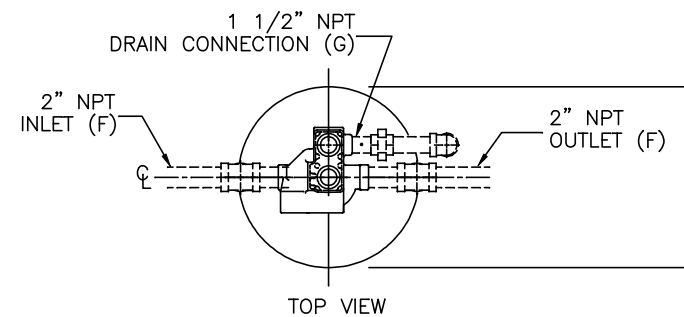


DO NOT SCALE DRAWING TOLERANCES: ±1/8" UNLESS OTHERWISE NOTED					 ENGINEERED SYSTEMS ROSEMONT, ILLINOIS PRINT AND BILL OF MATERIAL ARE NOT TO BE USED WITHOUT THE WRITTEN CONSENT OF CULLIGAN INTERNATIONAL CO.	NAME HI-FLO® 42 (FIBERGLASS) CARBON FILTER QUAD TECHNICAL DATA SHEET		
Let.	Change	By	App	Date		DETAILED BY: KMR 7/1/03	APP. BY: KSR 01/11/10	SHEET 1 OF 1
						REF. NO.	PART NO. F42_F4_C	

NOTES:

- (1) ITEMS SHOWN IN BROKEN LINES TO BE FURNISHED BY OTHERS.
- (2) ALL DIMENSIONS ARE ± 1 INCH (25mm) AND SUBJECT TO CHANGE WITHOUT NOTICE.
- (3) UNIONS SHOULD BE LOCATED ON INLET AND OUTLET CONNECTIONS OF CONTROL VALVE TO FACILITATE SERVICING.
- (4) THE USE OF DISSIMILAR METALS IN A PIPING SYSTEM IS NOT RECOMMENDED. WHERE DISSIMILAR METALS MUST BE CONNECTED IN A WATER SYSTEM, THE USE OF NONCONDUCTIVE (DIELECTRIC) FITTINGS MAY REDUCE GALVANIC CORROSION.
- (5) AN ELECTRICAL OUTLET SHOULD BE PROVIDED WITHIN FIVE FEET OF THE EQUIPMENT LOCATION.
- (6) ALLOW A MINIMUM OF 24 INCHES ABOVE SOFTENER FOR FILLING.
- (7) TO PERMIT THE OBSERVATION OF THE DRAIN FLOW DO NOT MAKE A DIRECT CONNECTION TO THE DRAIN. PROVIDE AN AIR GAP OF AT LEAST FOUR TIMES THE DIAMETER OF THE DRAIN PIPE OR CONFORM TO LOCAL SANITATION CODES.
- (8) SYSTEM USES FRP TANKS WHICH MUST NOT BE SUBJECTED TO VACUUM. INSTALL SIPHON BREAK ON DRAIN LINE. INSTALL VACUUM BREAKER ON INLET PIPING IF THE SERVICE LINE IS SUBJECT TO A VACCUM.

MODEL	DIMENSIONS (INCHES)								UNIT DATA PER TANK					
	WIDTH A	HEIGHT B(6)	DEPTH C	TANK DIA. D	TANK HEIGHT E	INLET/OUTLET PIPE SIZES F	DRAIN SIZE G	FLOOR TO INLET H	NORMAL FLOW gpm @ DP	PEAK FLOW gpm @ DP	DRAIN FLOW gpm	MIN. DRAIN PIPE SIZE IN.	SIMPLEX OPER. WT. lbs.	SIMPLEX SHIP. WT. lbs.
HDF-20-T	21	79	21	21	62	2.0	1.5	67	24 @ 5	36 @ 10	30	1.5	857	720
HDF-24-T	24	88	24	24	72	2.0	1.5	76	32 @ 5	48 @ 9	48	1.5	1297	910
HDF-30-T	30	96	30	30	72	2.0	1.5	84	50 @ 7	74 @ 11	70	2	2043	1335
HDF-36-T	36	96	36	36	72	2.0	1.5	84	71 @ 10	107 @ 19	90	2	2957	2010



DO NOT SCALE DRAWING TOLERANCES: ±1/8" UNLESS OTHERWISE NOTED				
Let.	Change	By	App	Date

Culligan®
ENGINEERED SYSTEMS
 ROSEMONT, ILLINOIS

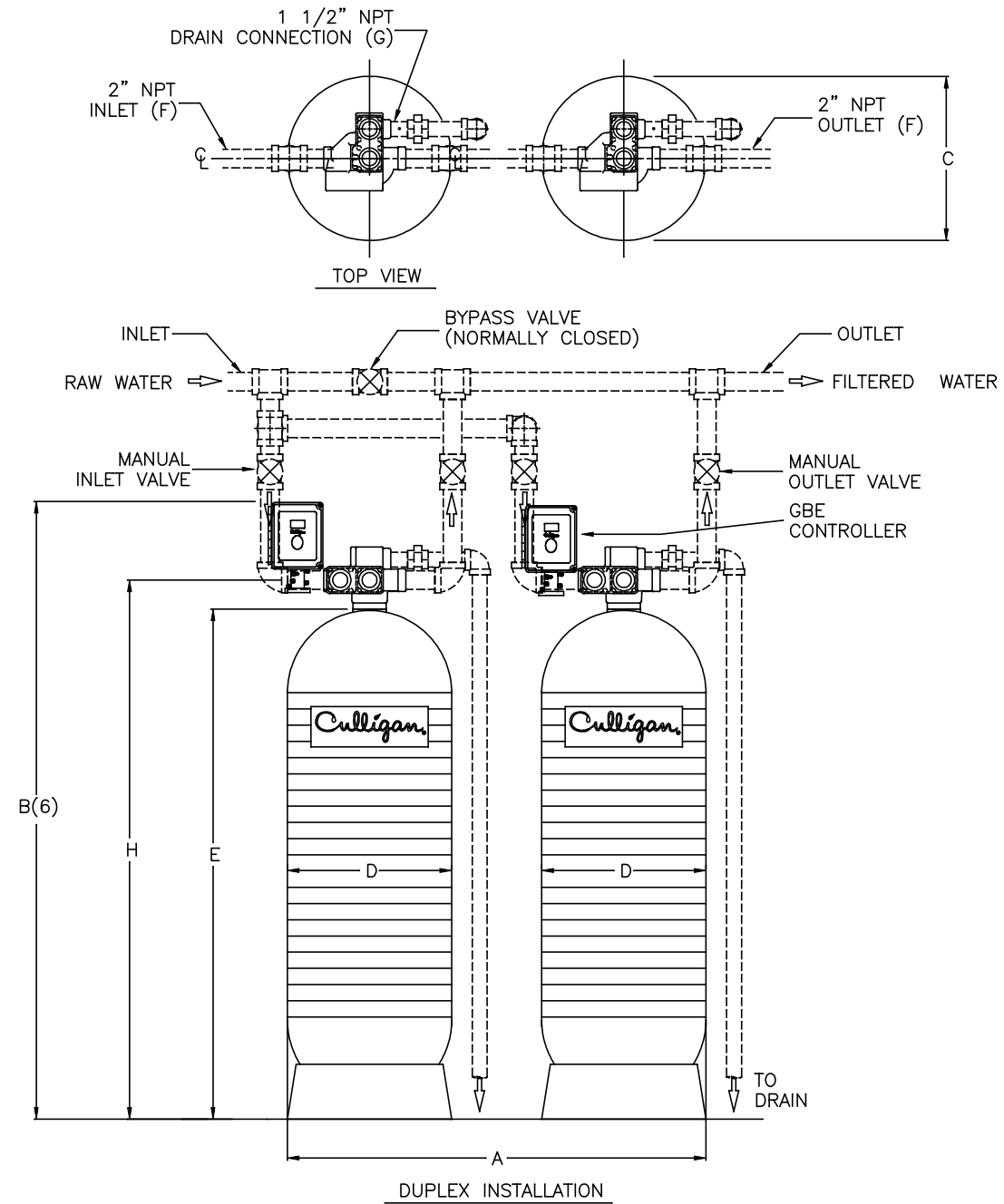
PRINT AND BILL OF MATERIAL ARE NOT TO BE USED WITHOUT THE WRITTEN CONSENT OF CULLIGAN INTERNATIONAL CO.


NAME HI-FLO® 42 (FIBERGLASS) DEPTH FILTER SINGLE TECHNICAL DATA SHEET		
DETAILED BY: KMR 10/11/02	APP. BY: KSR 01/11/10	SHEET 1 OF 1
REF. NO.	PART NO. F42_F1_D	

NOTES:

- (1) ITEMS SHOWN IN BROKEN LINES TO BE FURNISHED BY OTHERS.
- (2) ALL DIMENSIONS ARE ± 1 INCH (25mm) AND SUBJECT TO CHANGE WITHOUT NOTICE.
- (3) UNIONS SHOULD BE LOCATED ON INLET AND OUTLET CONNECTIONS OF CONTROL VALVE TO FACILITATE SERVICING.
- (4) THE USE OF DISSIMILAR METALS IN A PIPING SYSTEM IS NOT RECOMMENDED. WHERE DISSIMILAR METALS MUST BE CONNECTED IN A WATER SYSTEM. THE USE OF NONCONDUCTIVE (DIELECTRIC) FITTINGS MAY REDUCE GALVANIC CORROSION.
- (5) AN ELECTRICAL OUTLET SHOULD BE PROVIDED WITHIN FIVE FEET OF THE EQUIPMENT LOCATION.
- (6) ALLOW A MINIMUM OF 24 INCHES ABOVE SOFTENER FOR FILLING.
- (7) TO PERMIT THE OBSERVATION OF THE DRAIN FLOW DO NOT MAKE A DIRECT CONNECTION TO THE DRAIN. PROVIDE AN AIR GAP OF AT LEAST FOUR TIMES THE DIAMETER OF THE DRAIN PIPE OR CONFORM TO LOCAL SANITATION CODES.
- (8) SYSTEM USES FRP TANKS WHICH MUST NOT BE SUBJECTED TO VACUUM. INSTALL SIPHON BREAK ON DRAIN LINE. INSTALL VACUUM BREAKER ON INLET PIPING IF THE SERVICE LINE IS SUBJECT TO A VACCUM.

MODEL	DIMENSIONS (INCHES)								UNIT DATA PER TANK					
	WIDTH A	HEIGHT B(6)	DEPTH C	TANK DIA. D	TANK HEIGHT E	INLET/OUTLET PIPE SIZES F	DRAIN SIZE G	FLOOR TO INLET H	NORMAL FLOW gpm @ DP	PEAK FLOW gpm @ DP	DRAIN FLOW gpm	MIN. DRAIN PIPE SIZE IN.	DUPLEX OPER. WT. lbs.	DUPLEX SHIP. WT. lbs.
HDF-20-T	54	79	21	21	62	2.0	1.5	67	24 @ 5	36 @ 10	30	1.5	1714	1440
HDF-24-T	60	88	24	24	72	2.0	1.5	76	32 @ 5	48 @ 9	48	1.5	2594	1820
HDF-30-T	72	96	30	30	72	2.0	1.5	84	50 @ 7	74 @ 11	70	2	4086	2670
HDF-36-T	84	96	36	36	72	2.0	1.5	84	71 @ 10	107 @ 19	90	2	5914	4020

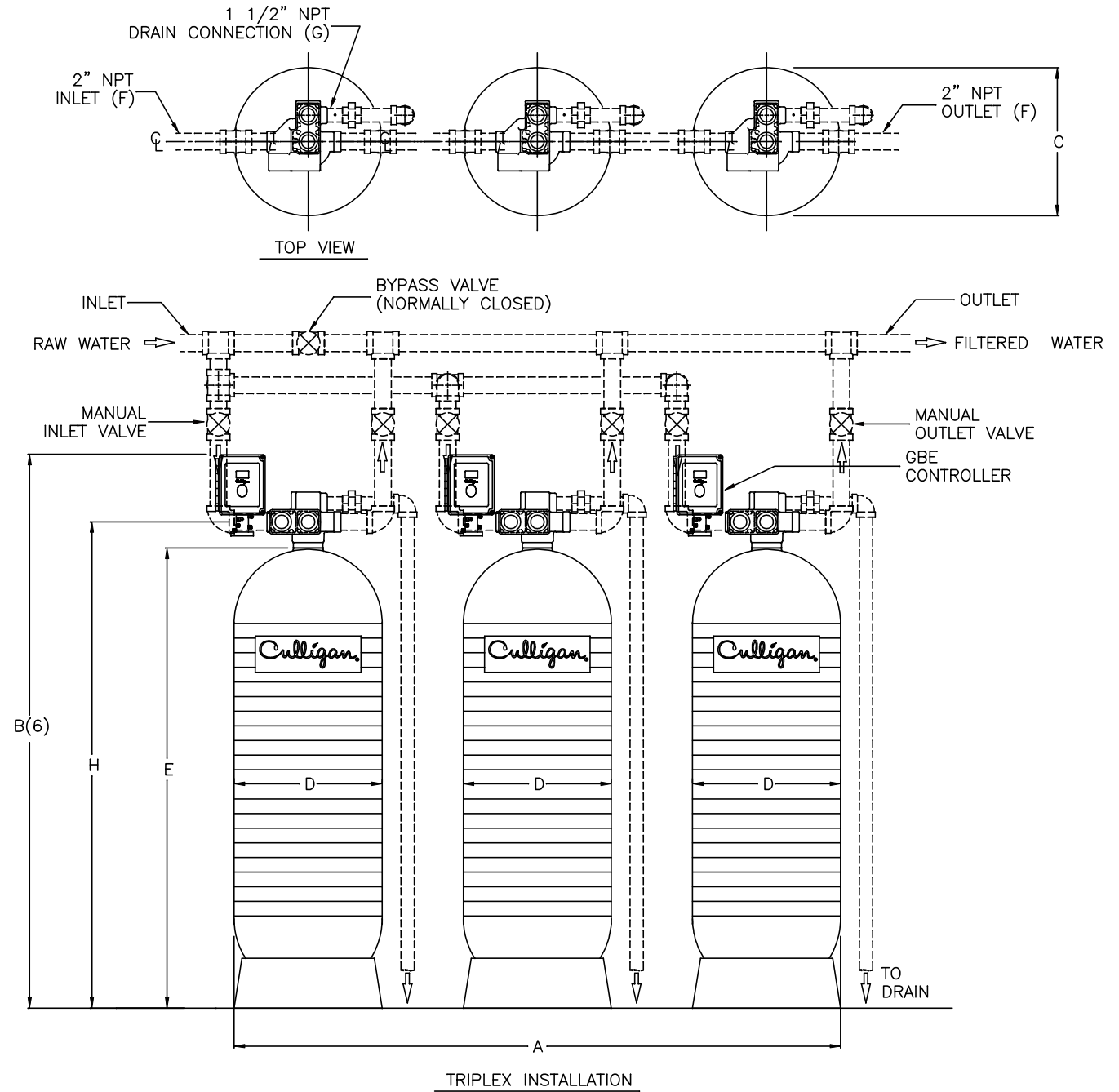


DO NOT SCALE DRAWING TOLERANCES: ±1/8" UNLESS OTHERWISE NOTED					 ENGINEERED SYSTEMS ROSEMONT, ILLINOIS PRINT AND BILL OF MATERIAL ARE NOT TO BE USED WITHOUT THE WRITTEN CONSENT OF CULLIGAN INTERNATIONAL CO.	NAME HI-FLO® 42 (FIBERGLASS) DEPTH FILTER DUPLEX TECHNICAL DATA SHEET		
Let.	Change	By	App	Date		DETAILED BY: KMR 10/11/02	APP. BY: KSR 01/11/10	SHEET 1 OF 1
						REF. NO.	PART NO. F42_F2_D	

NOTES:

- (1) ITEMS SHOWN IN BROKEN LINES TO BE FURNISHED BY OTHERS.
- (2) ALL DIMENSIONS ARE ± 1 INCH (25mm) AND SUBJECT TO CHANGE WITHOUT NOTICE.
- (3) UNIONS SHOULD BE LOCATED ON INLET AND OUTLET CONNECTIONS OF CONTROL VALVE TO FACILITATE SERVICING.
- (4) THE USE OF DISSIMILAR METALS IN A PIPING SYSTEM IS NOT RECOMMENDED. WHERE DISSIMILAR METALS MUST BE CONNECTED IN A WATER SYSTEM. THE USE OF NONCONDUCTIVE (DIELECTRIC) FITTINGS MAY REDUCE GALVANIC CORROSION.
- (5) AN ELECTRICAL OUTLET SHOULD BE PROVIDED WITHIN FIVE FEET OF THE EQUIPMENT LOCATION.
- (6) ALLOW A MINIMUM OF 24 INCHES ABOVE SOFTENER FOR FILLING.
- (7) TO PERMIT THE OBSERVATION OF THE DRAIN FLOW DO NOT MAKE A DIRECT CONNECTION TO THE DRAIN. PROVIDE AN AIR GAP OF AT LEAST FOUR TIMES THE DIAMETER OF THE DRAIN PIPE OR CONFORM TO LOCAL SANITATION CODES.
- (8) SYSTEM USES FRP TANKS WHICH MUST NOT BE SUBJECTED TO VACUUM. INSTALL SIPHON BREAK ON DRAIN LINE. INSTALL VACUUM BREAKER ON INLET PIPING IF THE SERVICE LINE IS SUBJECT TO A VACCUM.

MODEL	DIMENSIONS (INCHES)								UNIT DATA PER TANK					
	WIDTH A	HEIGHT B(6)	DEPTH C	TANK DIA. D	TANK HEIGHT E	INLET/OUTLET PIPE SIZES F	DRAIN SIZE G	FLOOR TO INLET H	NORMAL FLOW gpm @ DP	PEAK FLOW gpm @ DP	DRAIN FLOW gpm	MIN. DRAIN PIPE SIZE IN.	TRIPLEX OPER. WT. lbs.	TRIPLEX SHIP. WT. lbs.
HDF-20-T	87	79	21	21	62	2.0	1.5	67	24 @ 5	36 @ 10	30	1.5	2571	2160
HDF-24-T	96	88	24	24	72	2.0	1.5	76	32 @ 5	48 @ 9	48	1.5	3891	2730
HDF-30-T	114	96	30	30	72	2.0	1.5	84	50 @ 7	74 @ 11	70	2	6129	4005
HDF-36-T	132	96	36	36	72	2.0	1.5	84	71 @ 10	107 @ 19	90	2	8871	6030

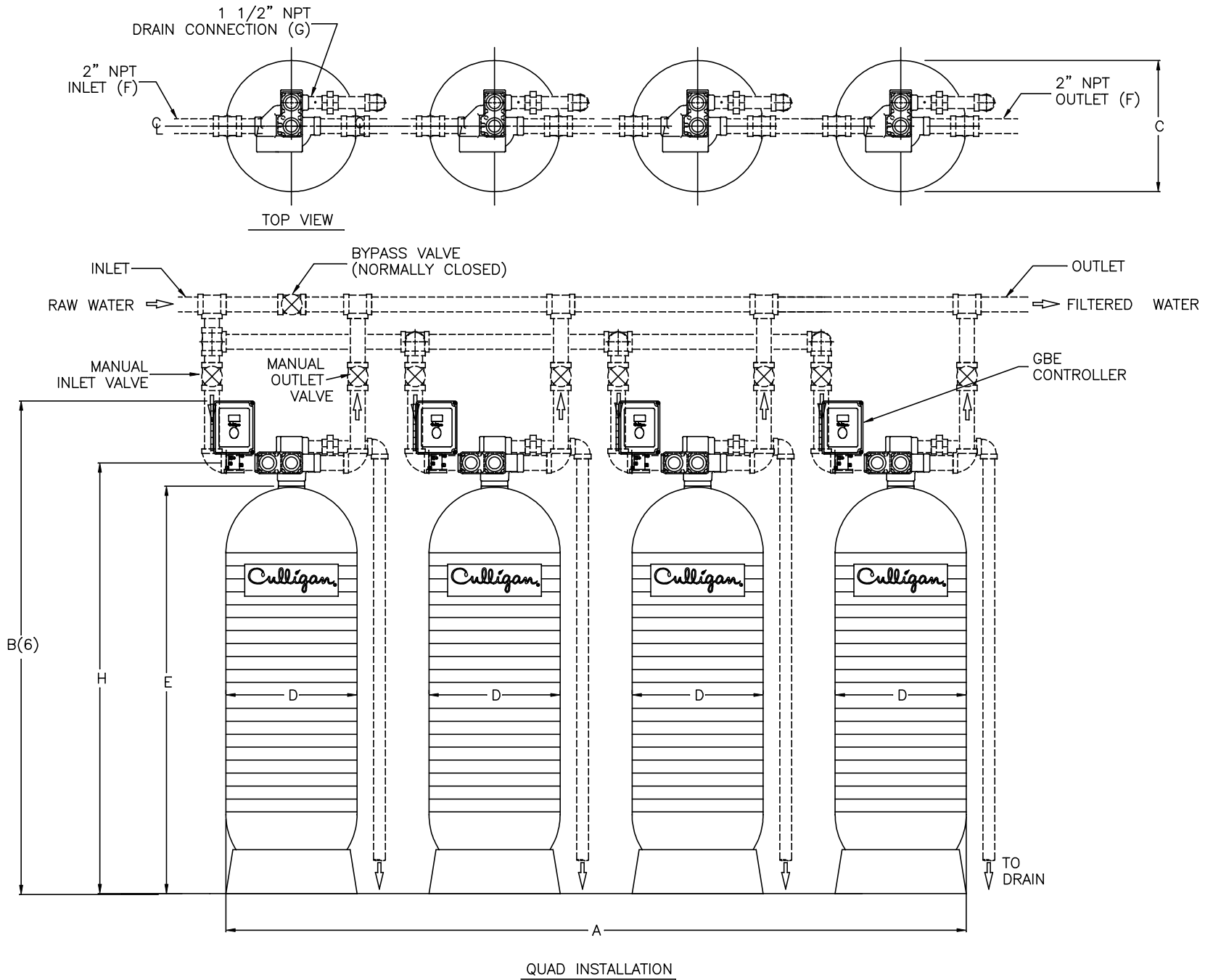


DO NOT SCALE DRAWING TOLERANCES: ±1/8" UNLESS OTHERWISE NOTED					 ENGINEERED SYSTEMS ROSEMONT, ILLINOIS PRINT AND BILL OF MATERIAL ARE NOT TO BE USED WITHOUT THE WRITTEN CONSENT OF CULLIGAN INTERNATIONAL CO.	NAME HI-FLO® 42 (FIBERGLASS) DEPTH FILTER TRIPLEX TECHNICAL DATA SHEET		
Let.	Change	By	App	Date		DETAILED BY: KMR 10/11/02	APP. BY: KSR 01/11/10	SHEET 1 OF 1
REF. NO.						PART NO. F42_F3_D		

NOTES:

- (1) ITEMS SHOWN IN BROKEN LINES TO BE FURNISHED BY OTHERS.
- (2) ALL DIMENSIONS ARE ± 1 INCH (25mm) AND SUBJECT TO CHANGE WITHOUT NOTICE.
- (3) UNIONS SHOULD BE LOCATED ON INLET AND OUTLET CONNECTIONS OF CONTROL VALVE TO FACILITATE SERVICING.
- (4) THE USE OF DISSIMILAR METALS IN A PIPING SYSTEM IS NOT RECOMMENDED. WHERE DISSIMILAR METALS MUST BE CONNECTED IN A WATER SYSTEM. THE USE OF NONCONDUCTIVE (DIELECTRIC) FITTINGS MAY REDUCE GALVANIC CORROSION.
- (5) AN ELECTRICAL OUTLET SHOULD BE PROVIDED WITHIN FIVE FEET OF THE EQUIPMENT LOCATION.
- (6) ALLOW A MINIMUM OF 24 INCHES ABOVE SOFTENER FOR FILLING.
- (7) TO PERMIT THE OBSERVATION OF THE DRAIN FLOW DO NOT MAKE A DIRECT CONNECTION TO THE DRAIN. PROVIDE AN AIR GAP OF AT LEAST FOUR TIMES THE DIAMETER OF THE DRAIN PIPE OR CONFORM TO LOCAL SANITATION CODES.
- (8) SYSTEM USES FRP TANKS WHICH MUST NOT BE SUBJECTED TO VACUUM. INSTALL SIPHON BREAK ON DRAIN LINE. INSTALL VACUUM BREAKER ON INLET PIPING IF THE SERVICE LINE IS SUBJECT TO A VACCUM.

MODEL	DIMENSIONS (INCHES)								UNIT DATA PER TANK					
	WIDTH A	HEIGHT B(6)	DEPTH C	TANK DIA. D	TANK HEIGHT E	INLET/OUTLET PIPE SIZES F	DRAIN SIZE G	FLOOR TO INLET H	NORMAL FLOW gpm @ DP	PEAK FLOW gpm @ DP	DRAIN FLOW gpm	MIN. DRAIN PIPE SIZE IN.	QUAD OPER. WT. lbs.	QUAD SHIP. WT. lbs.
HDF-20-T	120	79	21	21	62	2.0	1.5	67	24 @ 5	36 @ 10	30	1.5	3428	2880
HDF-24-T	132	88	24	24	72	2.0	1.5	76	32 @ 5	48 @ 9	48	1.5	5188	3640
HDF-30-T	156	96	30	30	72	2.0	1.5	84	50 @ 7	74 @ 11	70	2	8172	5340
HDF-36-T	180	96	36	36	72	2.0	1.5	84	71 @ 10	107 @ 19	90	2	11828	8040



DO NOT SCALE DRAWING TOLERANCES: ±1/8" UNLESS OTHERWISE NOTED				
Let.	Change	By	App	Date

Culligan®
ENGINEERED SYSTEMS
ROSEMONT, ILLINOIS

PRINT AND BILL OF MATERIAL ARE NOT TO BE USED WITHOUT THE WRITTEN CONSENT OF CULLIGAN INTERNATIONAL CO.

NAME HI-FLO® 42 (FIBERGLASS) DEPTH FILTER QUAD TECHNICAL DATA SHEET		
DETAILED BY: KMR 7/1/03	APP. BY: KSR 01/11/10	SHEET 1 OF 1
REF. NO.	PART NO. F42_F4_D	